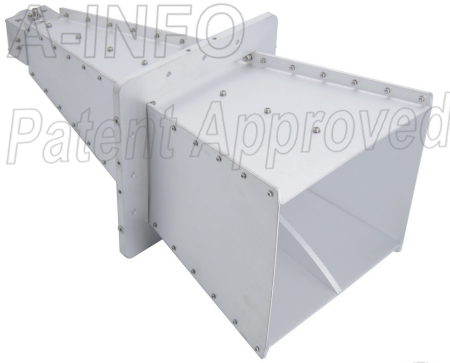


For reference only. See data sheet for the detailed specifications.

Technical Specification



Frequency Range(GHz)	2.0 – 18.0
Gain(dBi)	17 Typ.
Polarization	Linear
3dB Beamwidth(deg)	E Plane: 50 - 13
	H Plane: 54 - 9
Cross Pol. Isolation(dB)	25 Typ.
VSWR	1.50:1 Typ.
	2.50:1 Max.
Connector	SMA-Female or N-Female
Power Handling(W CW)	SMA-Female: 50 Max.
	N-Female 150 Max.
Material	Al
Finish	Chemical Conversion Coating and Sand Blasting
Size(mm)	183 x 183 x 438
Net Weight(Kg)	1.83 Around

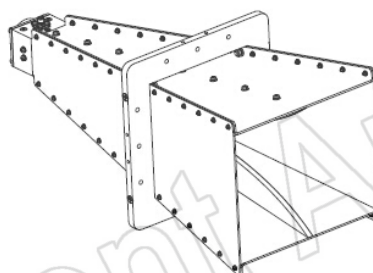
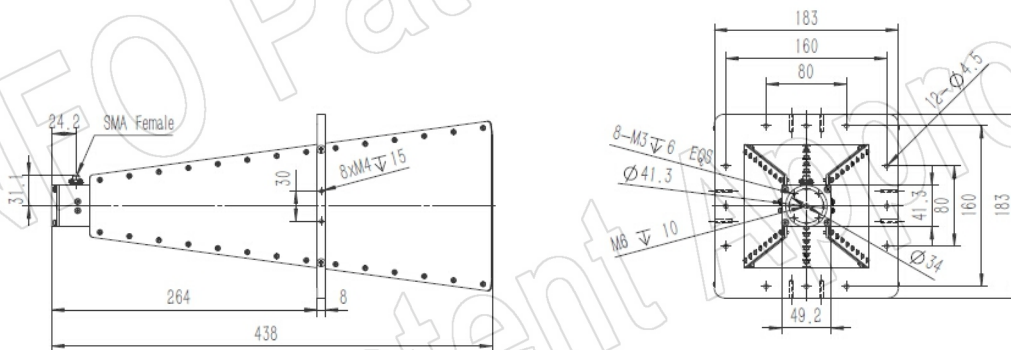
PATENT ID (China)

ZL201630458607.4

Outline Drawing (Size: mm)

SMA-Female Output (P/N: LB-20180H-SF)

For N-Female output outline drawing, please contact A-INFO.



AINFO Inc.

China(Beijing):
China(Chengdu):
USA :

Tel: (+86) 10-6266-7326,
Tel: (+86) 28-8519-2786,
Tel: (+1) 949-639-9688,

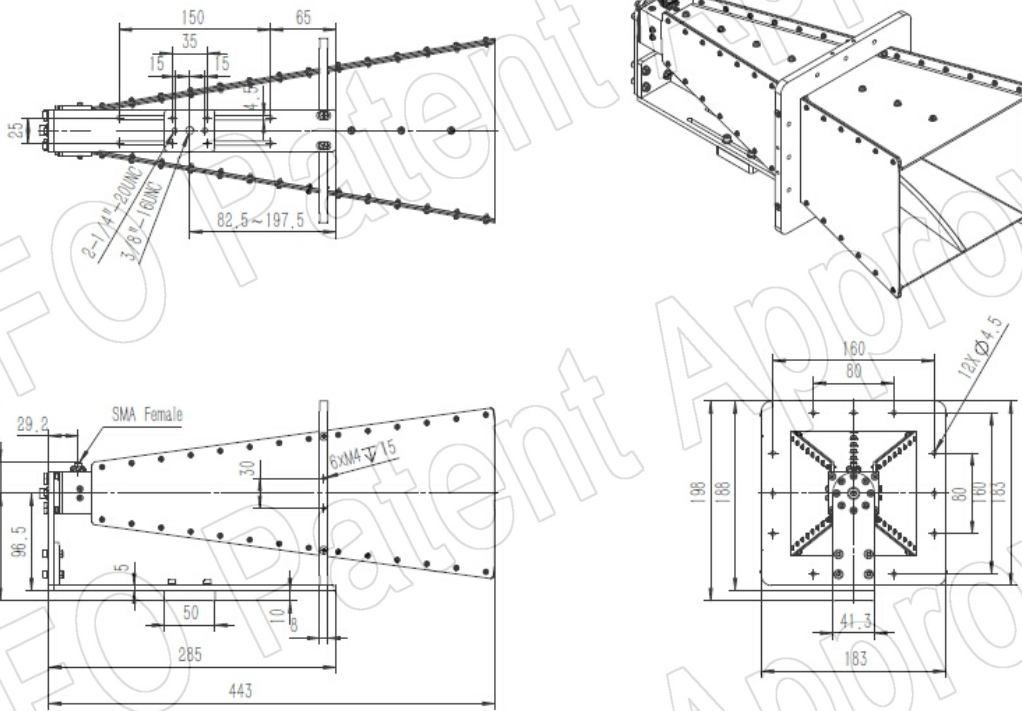
(+86) 10-6266-7327
(+86) 28-8519-3044
(+1) 949-639-9608

Fax: (+86) 10-6266-7379
Fax: (+86) 28-8519-3068
Fax: (+1) 949-639-9670

Website: www.ainfoinc.com
Email: sales@ainfoinc.com

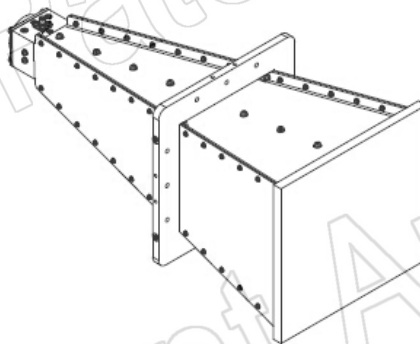
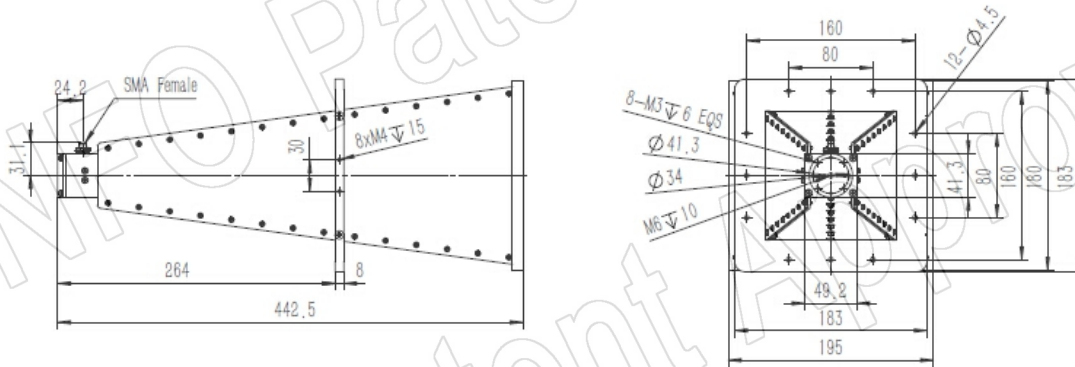
SMA-Female Output with L Type Mounting Bracket (Option, P/N: LB-20180H-L)

For N-Female output outline drawing, please contact A-INFO.



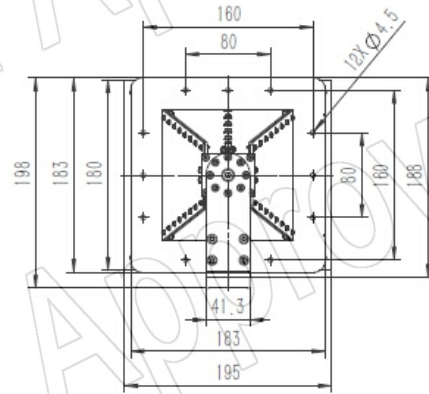
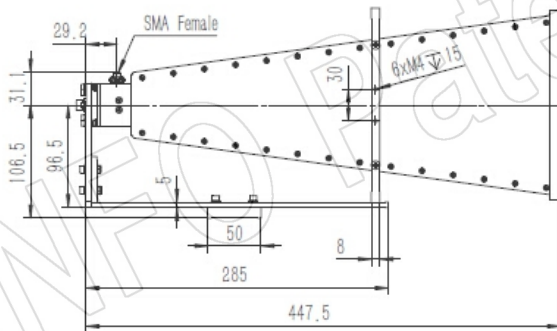
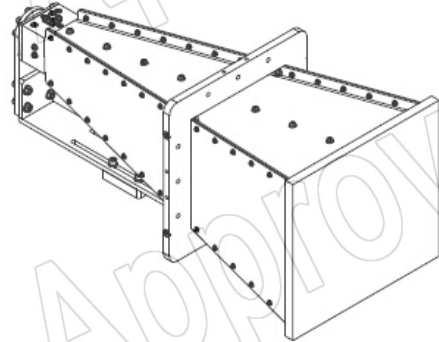
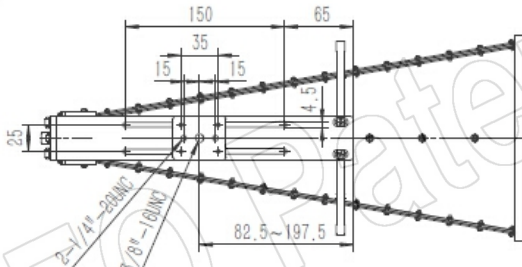
SMA-Female Output with Radome (Option, P/N: LB-20180H-SFSP0, Outdoor Application)

For N-Female output outline drawing, please contact A-INFO.



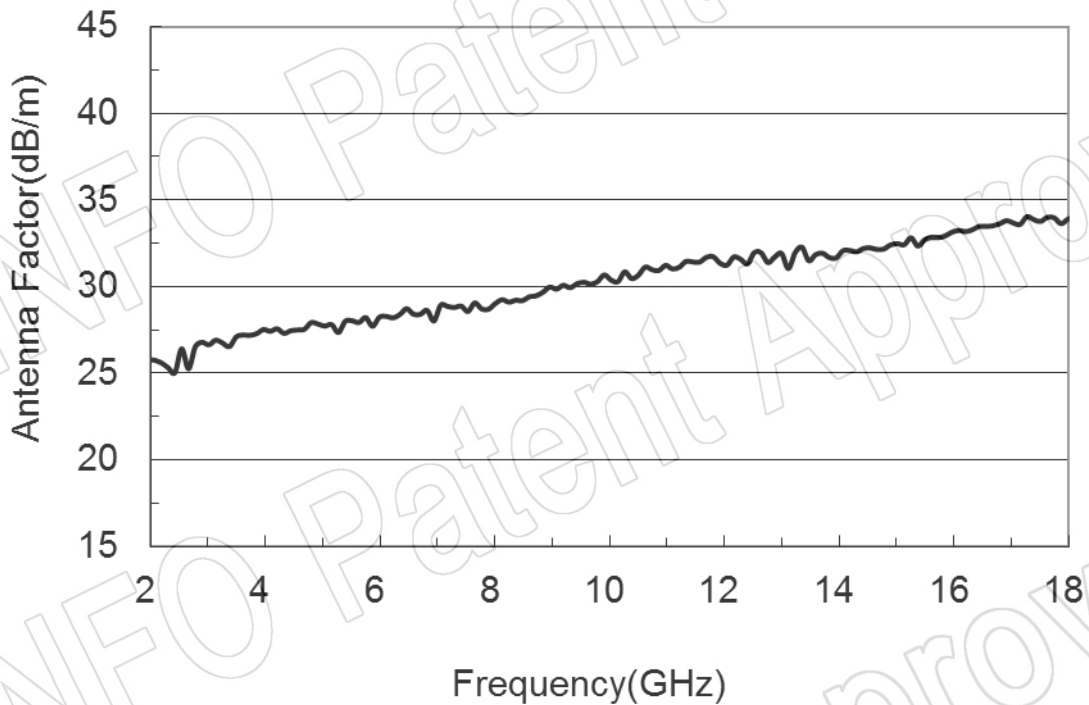
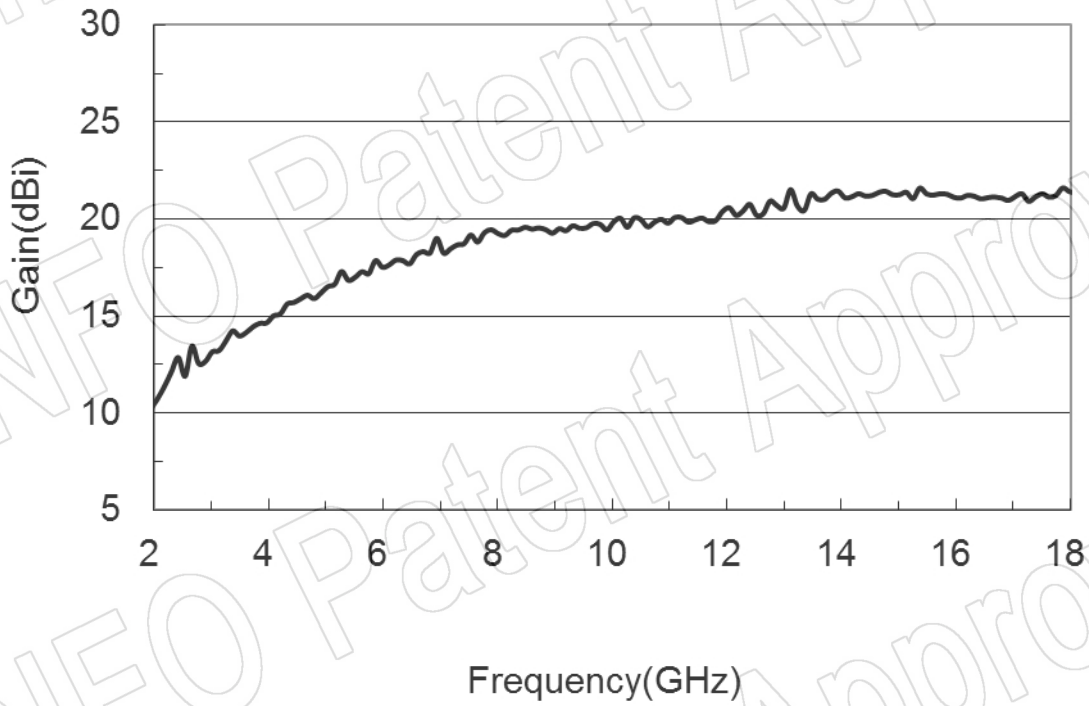
SMA-Female Output with L Type Mounting Bracket & Radome (Option, P/N: LB-20180H-L & LB-20180H-SFSP0, Outdoor Application)

For N-Female output outline drawing, please contact A-INFO.

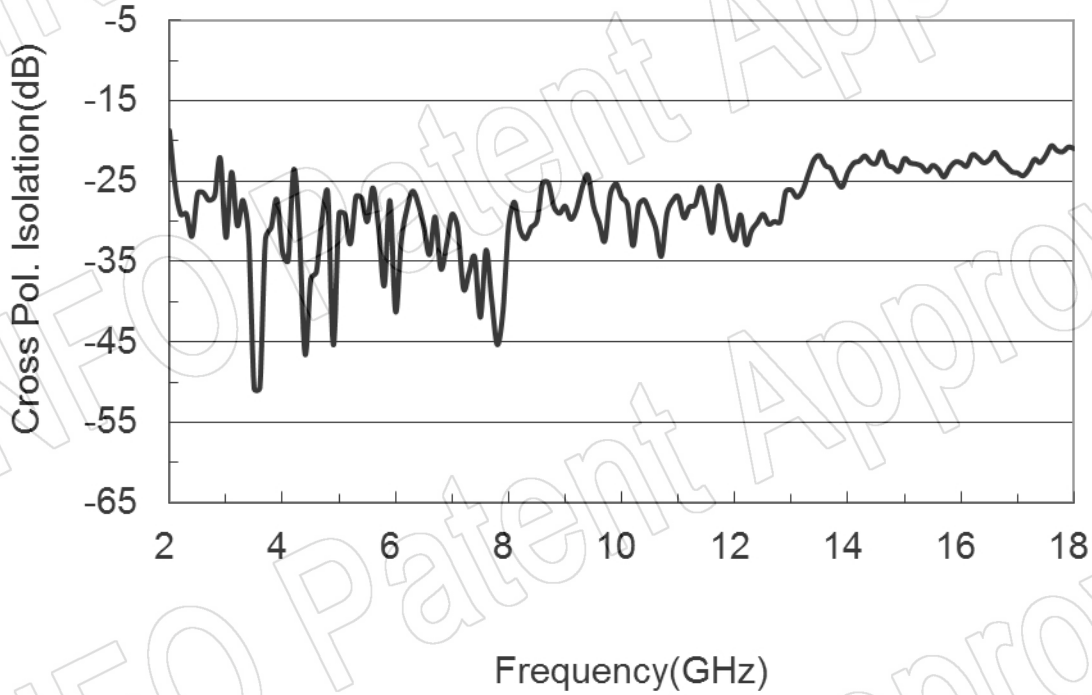


Test Results

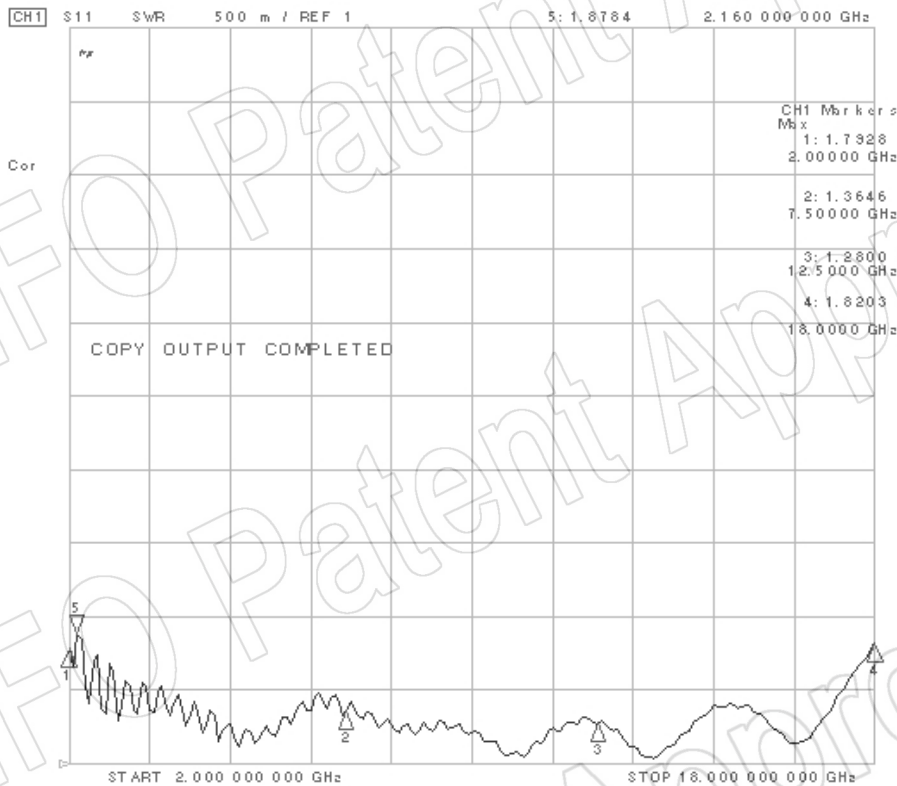
1. Gain & Antenna Factor



2. Cross Polarization Isolation



3. VSWR



4. Pattern

